

4 INPUT PROGRAMMABLE CONTROLLER, CHARACTERIZER, DATA LOGGER AND RE-TRANSMITTER

TS360

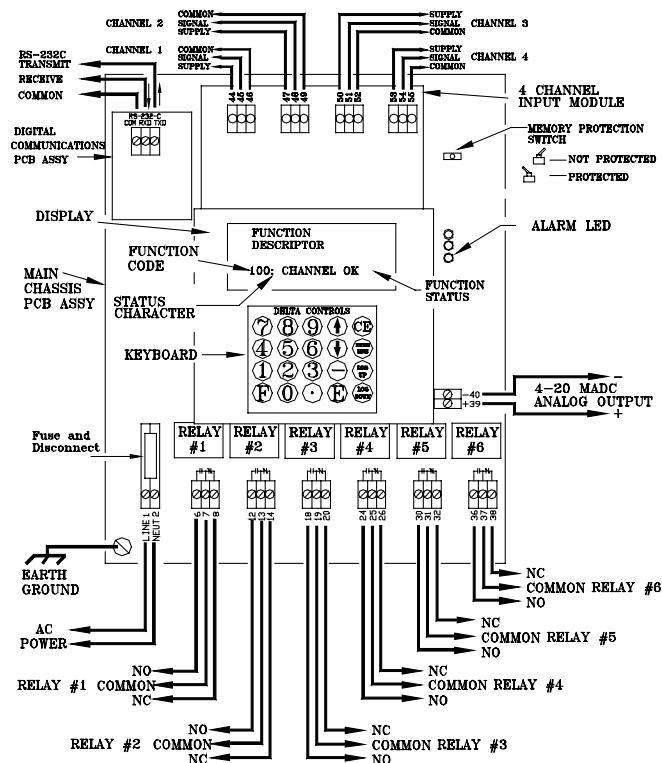
The Model 360 accepts a voltage or current input signal from any type of transmitting device (level, temperature, flow, pressure, pH, dissolved O₂, differential pressure, etc.) for purposes of on-off and/or proportional band control. The input signals can be summed or averaged. One input signal can be subtracted from another for such functions as differential level. Multiplication, division, difference, sum, etc. functions can also be programmed between any two input signals. These functions can be referenced to 2, 3, or 4 of the inputs and can also be transmitted as 4-20 MADC signal.

Hardware Features

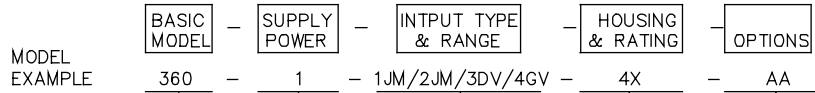
- Input terminals for up to four voltage or current input signals (4-20, 0-1, 0-10, 0-20, etc.)
- Four line 64 character alpha/numeric LCD display
- Internal keypad for data entry
- Six 10A SPDT relays for alarm and/or on-off control functions; can be individually referenced to any input function
- Single isolated 4-20 MADC output (four separate 4-20 MADC outputs are available as option)
- Type 4X fiberglass enclosure with display window (exproof and other enclosures are available)
- Optional communications port (RS-232, RS-422, RS-485)
- 24 VDC power supply for each loop is standard

Software Features

- Full pump control including timed or first on/first off rotation for up to six pumps. Six relays are available; one is required for each pump or alarm function.
- Individual characterization of each input signal with 20 data entry points
- PID control; proportional band, reset, and rate control.
- Time and amplitude data logging (up to 4096 data points per channel), which can be utilized in place of chart recorders in many applications.
- Addition, subtraction, multiplication or division of the input signals to provide many useful data results; resultants are transmitted by 4-20 MADC or through the communications port.



4 INPUT PROGRAMMABLE CONTROLLER, CHARACTERIZER, DATA LOGGER AND RE-TRANSMITTER



M/N	
360	

M/N	SUPPLY POWER
1	120V, 50/60 HZ
2	240V, 50/60 HZ

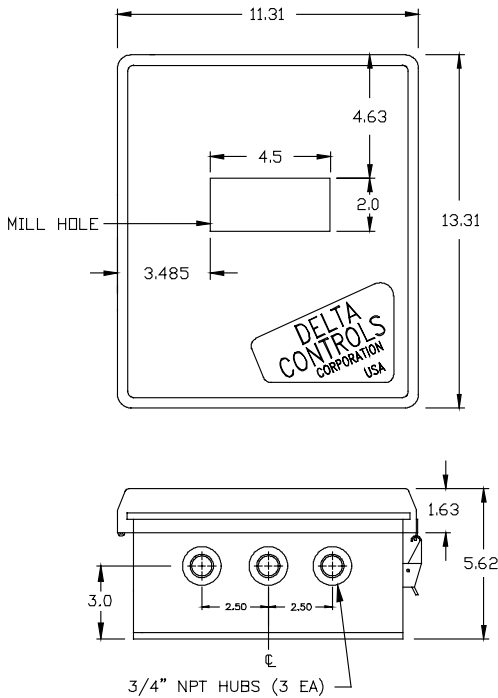
M/N	OPTIONS
AA	NONE
TH*	THERMOSTATED 30 W HOUSING HEATER
PSM	2" PIPE STAND MOUNTING FOR TYPE 4X
PSM	2" PIPE STAND MOUNTING FOR TYPES 7 & 9
RS232	RS-232 DIGITAL COMMUNICATIONS
RS422	RS-422 DIGITAL COMMUNICATIONS
RS485	RS-485 DIGITAL COMMUNICATIONS
QMA	FOUR INDEPENDENT 4-20 MADC OUTPUT SIGNALS; ISOLATED FROM GROUND; MOUNTED IN A 6" X 6" SURFACE TYPE 4X FIBERGLASS HOUSING WHICH MAY BE LOCATED UP TO 2500 FEET AWAY FROM MAIN ENCLOSURE WITH ONLY TWO CONNECTING WIRES
* NOT NORMALLY NEEDED. BASIC UNIT OK TO -20 F	

INPUT TYPE AND RANGE FOR EACH CHANNEL
 * EXAMPLE: SHOWN IN M/N AS: -1##/2##/3##/4##

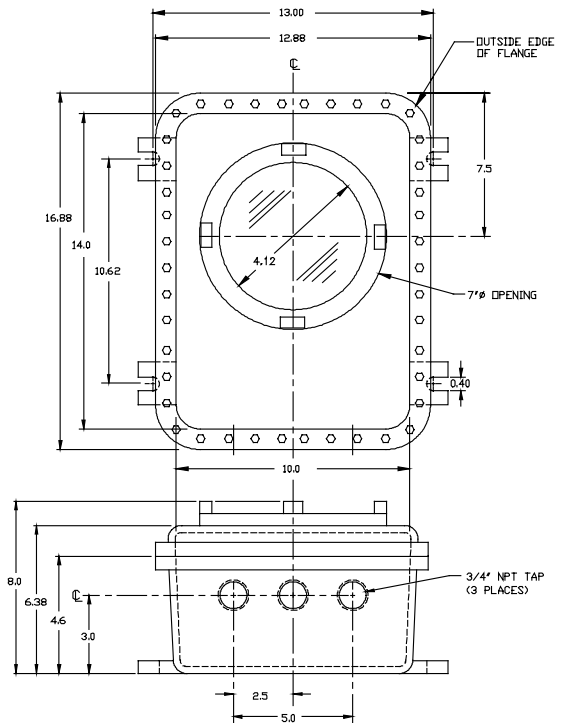
RANGE	CHANNEL 1	CHANNEL 2	CHANNEL 3	CHANNEL 4
4-20	1J#	2J#	3J#	4J#
1-5	1B#	2B#	3B#	4B#
0-.4	1C#	2C#	3C#	4C#
0-1	1D#	2D#	3D#	4D#
0-3	1E#	2E#	3E#	4E#
0-5	1F#	2F#	3F#	4F#
0-10	1G#	2G#	3G#	4G#
0-20	1H#	2H#	3H#	4H#

*EXAMPLE: REPLACE THE LAST "#" IN THE M/N WITH "V" FOR VOLTS DC OR "M" FOR MILLIAMPS DC;
 NOTE: ALL CHANNELS MAY BE PROGRAMMED IN THE FIELD; INSERT "AA" FOR NO FACTORY SETUP

M/N	HOUSING & RATING
4X	TYPE 4X FIBERGLASS, HOSEPROOF
6	TYPE 6 FIBERGLASS, SUBMERSIBLE TO 15'
7*	XPROOF CL I DIV 1 GRPS B,C,D; CAST ALUM.; ALSO TYPE 4
9*	XPROOF CL II DIV 1 GRPS E,F,G; CAST ALUM.; ALSO TYPE 4
*CONSULT APPLICATION NOTE #991 FOR DETAILS	



WEATHERPROOF ENCLOSURE



EXPLOSIONPROOF ENCLOSURE

DELTA CONTROLS CORP
 Engineered Sensors - For Difficult Services
 585 Fortson Street
 Shreveport, La. 71107 - USA



Voice: 318-424-8471
 Fax: 318-425-2421
 E-mail: delta@deltacnt.com
 Web Site: http://www.deltacnt.com